

Changeover valve with gland seal
Changeover valve with gland seal and chain wheel for inlet / outlet

Changeover valve with gland seal
Z10-22 (Type 60)

Page 2



Fig. Z10-22

Changeover valve with gland seal and chain wheel
for inlet / outlet
Z10-24 (Type 69)

Page 3

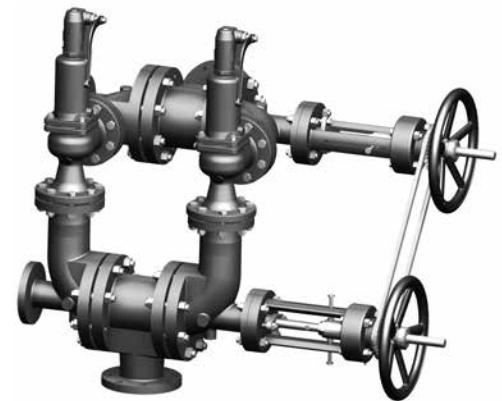


Fig. Z10-24

Features:

- Optional: Bellow sealing for zero leakage to atmosphere
- Optimised body design for lower Zeta value
- Included reducers for safety valve installation available

Changeover valve with gland seal

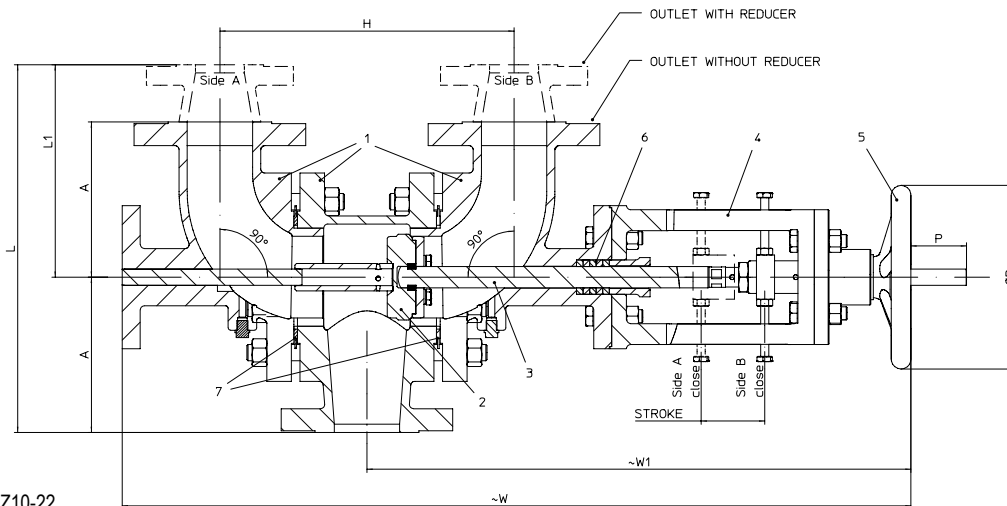


Fig. Z10-22

Figure	Nominal pressure	Material	Nominal diameter	Temperature range
Z10-22	PN16 - PN40	1.0619	DN25 - 250	-10°C bis 425°C*
Z10-22	PN16 - PN40	1.4408	DN25 - 250	-60°C bis 400°C*

* According to pressure temperature rating cast steel and stainless steel.

Parts				
Pos.	Sp.p.	Description	Cast steel	Stainless steel
1		Body**	GP240GH+N, 1.0619	GX5CrNiMo19-11-2, 1.4408
2		Disc	316 (X2CrNiMo17-12-2, 1.4404)	
3		Spindle	316 (X2CrNiMo17-12-2, 1.4404)	
4		Yoke	GP240GH+N, 1.0619	GX5CrNiMo19-11-2, 1.4408
5		Handwheel	C.I (St.)	
6		Packing	PTFE / Graphite	
7		Gasket	PTFE / 316L (X2CrNiMo17-12-2, 1.4404)	
L Spare parts				

** Seats are integral parts of valve bodies.

Fig. Z10-21 / Fig. Z10-23 Bellow design see page 4.

DN	25	40	50	65	80	100	125	150	200	250
----	----	----	----	----	----	-----	-----	-----	-----	-----

Standard dimensions											
A	(mm)	115	150	150	190	190	230	230	280	370	430
H	(mm)	190	265	265	360	360	460	460	600	800	900
L1 for reducer	DN (mm)	--	32	40	50	65	80	100	125	150	200
	L1 (mm)	--	200	205	250	255	300	390	380	490	570
L	(mm)	230	350	355	440	445	530	690	660	860	1000
Max.	ØD (mm)	160 ¹⁾	225 ¹⁾	280	360	360	360	360	560	800	800
	W1 (mm)	520	590	615	682	700	790	795	1035	1235	1345
	W (mm)	710	810	835	962	1000	1140	1145	1480	1840	2010
	P (mm)	30	45	50	80	90	115	145	175	225	270
Stroke	(mm)	45	55	60	80	90	112	135	165	218	262
Min. ØD	(mm)	160 ¹⁾	160 ¹⁾	160 ¹⁾	225 ¹⁾	225 ¹⁾	225	225	280	360	360
Zeta-value	--	0,65	0,65	0,75	0,65	0,75	0,8	0,7	0,9	0,6	0,8

Test	
Sealing leakage test	Seat tightness: DIN EN 12266-1 Leakage rate A (DIN 3230 T3 Leakage rate 1)

Weights											
PN40	(kg)	35	70	80	95 ²⁾	135	190	280 ²⁾	420	590	950

¹⁾ Actuator with rising handwheel

²⁾ Approx. weights

ØD, W, W1 and P vary acc. to operating conditions.

Notes:

- other actuators with non-rising handwheel and spindle protrudes „P“ mm if disc seals at side B
- from DN25 to DN50 different valve design without guide rod (side A) and disc with fins

Changeover valve with gland seal and chain wheel for inlet / outlet

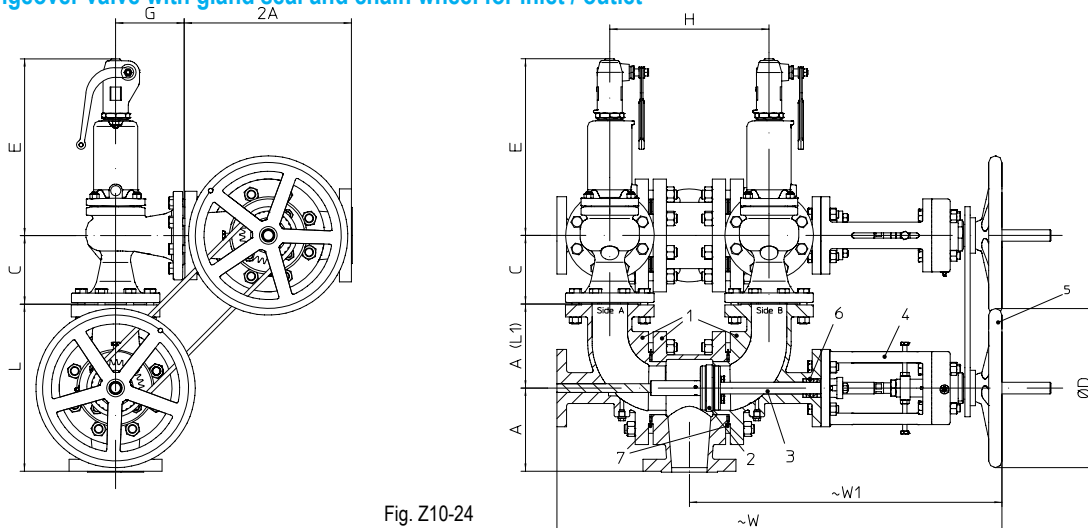


Fig. Z10-24

Figure	Nominal pressure	Material	Nominal diameter	Temperature range
Z10-24	PN16 - PN40	1.0619	DN25 - 250	-10°C bis 425°C*
Z10-24	PN16 - PN40	1.4408	DN25 - 250	-60°C bis 400°C*

* According to pressure temperature rating cast steel and stainless steel.

Parts				
Pos.	Sp.p.	Description	Cast steel	Stainless steel
1		Body**	GP240GH+N, 1.0619	GX5CrNiMo19-11-2, 1.4408
2		Disc	316 (X2CrNiMo17-12-2, 1.4404)	
3		Spindle	316 (X2CrNiMo17-12-2, 1.4404)	
4		Yoke	GP240GH+N, 1.0619	GX5CrNiMo19-11-2, 1.4408
5		Handwheel	C.I (St.)	
6		Packing	PTFE / Graphite	
7		Gasket	PTFE / 316L (X2CrNiMo17-12-2, 1.4404)	
L Spare parts				

**Seats are integral parts of valve bodies.

Fig. Z10-21 / Z10-23 Bellow design see page 4.

DN		25	40	50	65	80	100	125	150	200	250
Standard dimensions											
A	(mm)	115	150	150	190	190	230	230	280	370	430
H	(mm)	190	265	265	360	360	460	460	600	800	900
L1 for reducer	DN	(mm)	--	32	40	50	65	80	100	125	150
	L1	(mm)	--	200	205	250	255	300	390	380	490
L	(mm)	230	350	355	440	445	530	690	660	860	1000
Max.	ØD	(mm)	160 ¹⁾	225 ¹⁾	280	360	360	360	560	800	800
	W1	(mm)	520	590	615	682	700	790	795	1035	1235
	W	(mm)	710	810	835	962	1000	1140	1145	1480	1840
	P	(mm)	30	45	50	80	90	115	145	175	225
Stroke	(mm)	45	55	60	80	90	112	135	165	218	262
Min. ØD	(mm)	160 ¹⁾	160 ¹⁾	160 ¹⁾	225 ¹⁾	225 ¹⁾	225	225	280	360	360

ARI-SAFE											
C	(mm)	105	140	150	170	195	220	250	285	305	240
E	(mm)	280	390	435	545	610	690	845	890	1105	1175
G	(mm)	100	115	120	140	160	180	200	225	300	325

ARI-SAFE-P											
C	(mm)	100	115	125	145	155	175	--	--	--	--
E	(mm)	270	290	290	340	400	450	--	--	--	--
G	(mm)	100	115	125	145	155	175	--	--	--	--

Test	
Sealing leakage test	Seat tightness: DIN EN 12266-1 Leakage rate A (DIN 3230 T3 Leakage rate 1)

Weights											
PN40	(kg)	77	154	176	209 ²⁾	297	418	616 ²⁾	924	1300	2090

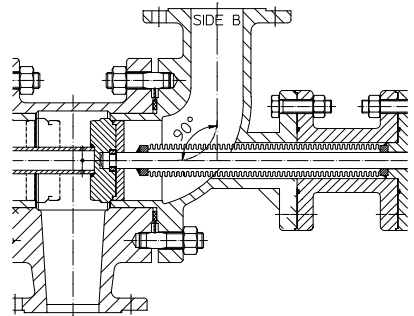
¹⁾ Actuator with rising handwheel

²⁾ Approx. weights

ØD, W, W1 and P vary acc. to operating conditions.

Notes:

- other actuators with non-rising handwheel and spindle protrudes „P“ mm if disc seals at side B
- from DN25 to DN50 different valve design without guide rod (side A) and disc with fins

<p>Applications:</p> <ul style="list-style-type: none"> - Offshore / Onshore (oil and gas extraction) - Downstream (refinery, petrochemicals) - Chemical industry, storage tanks, Heat transfer oel systems and process technologies. 	
<p>Design Options:</p> <ul style="list-style-type: none"> - Included reducers for safety valve mounting - Bellow sealing for zero leakage to atmosphere (see figure on the right) - Flushing valves - Bleed/vent valves - Heating jacket - Automated actuation - Special materials available on request - Material according to NACE standard available 	 <p style="text-align: center;">Bellow design, Fig. Z10-21 / Fig. Z10-23</p>

<p>Advantages of a combination with safety valves:</p>
<p>cost saving due to service without plant downtime no loss of medium due to exchange of safety valve minimization of risks of hazardous media in service case: only lowest disposal costs for critical media combination of inlet and outlet with a change over valve minimizes a risk caused by hazardous media cost saving due to an additional change over valve in the outlet so that only one outlet pipe is necessary</p>